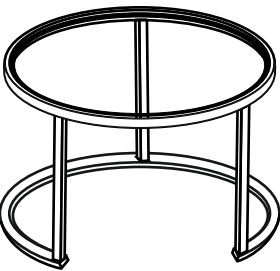

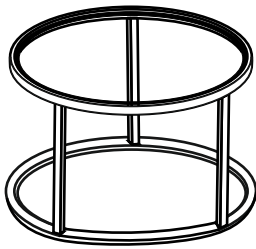





**Aufbauanleitung / Montagehandleiding /
Plan de montage / Assembly instruction
Istruzioni di montaggio**

20038

 05 min	
--	---

A 	B 	C 	D 
--	---	---	---

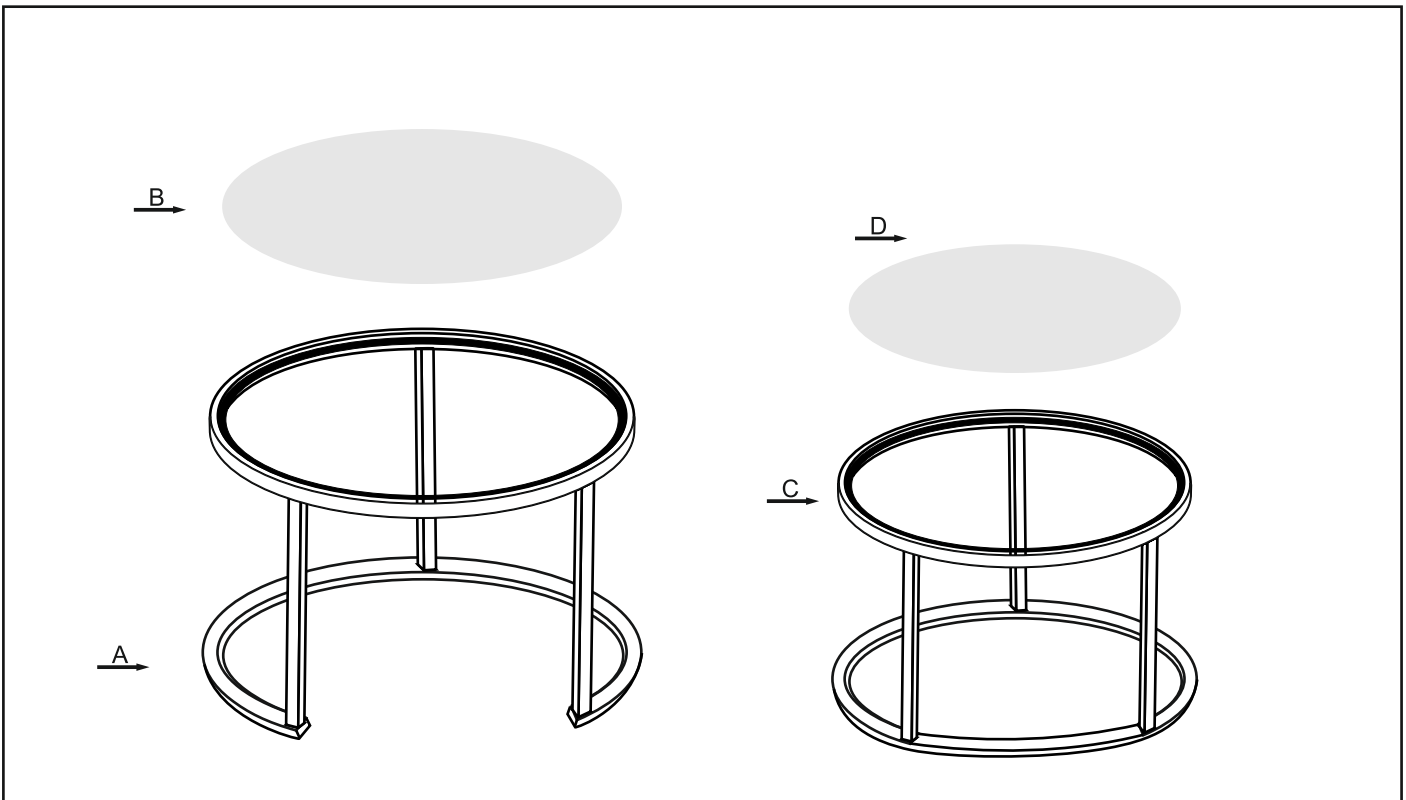


Diagram illustrating the final assembly steps:

- Diagram A: Shows the table frame with the top ring (B) being attached to the top.
- Diagram C: Shows the table frame with the top ring (D) being attached to the top.



LOBERON
COMING HOME

