

LOBERON

COMING HOME



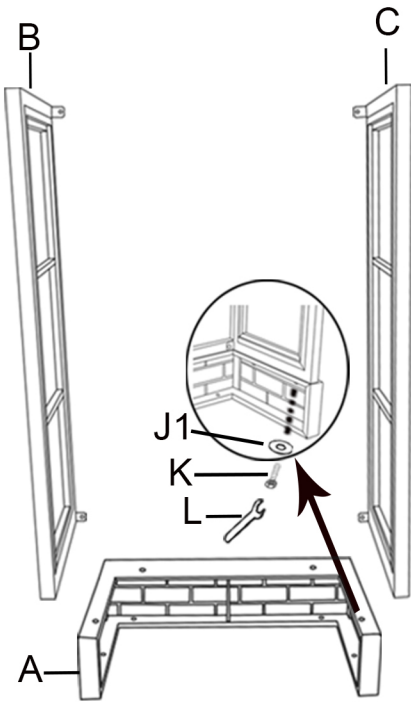
30 min



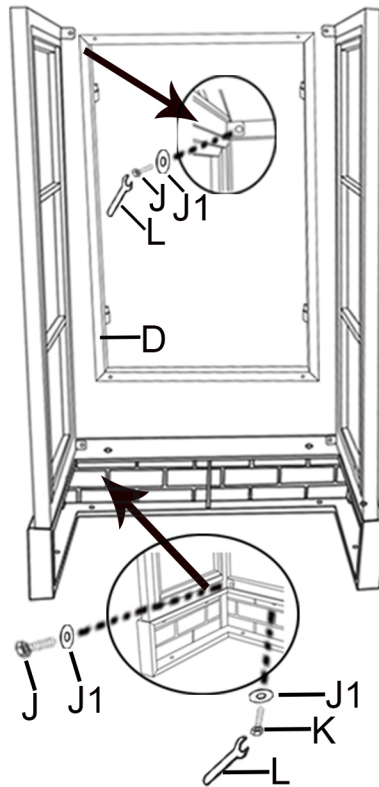
2

Ax1 	Bx1 	Cx1 	Dx1 	Ex1 	Hx1 	Ix1 	Jx8
Gx1 				Fx1 			J1x16
			Mx2 	Nx2 	Ox2 	Lx1 	Kx4
							K1x4

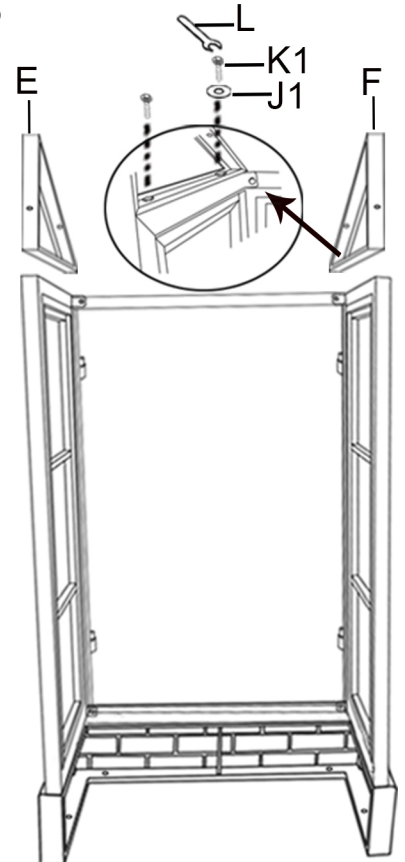
1



2



3



LOBERON

COMING HOME

